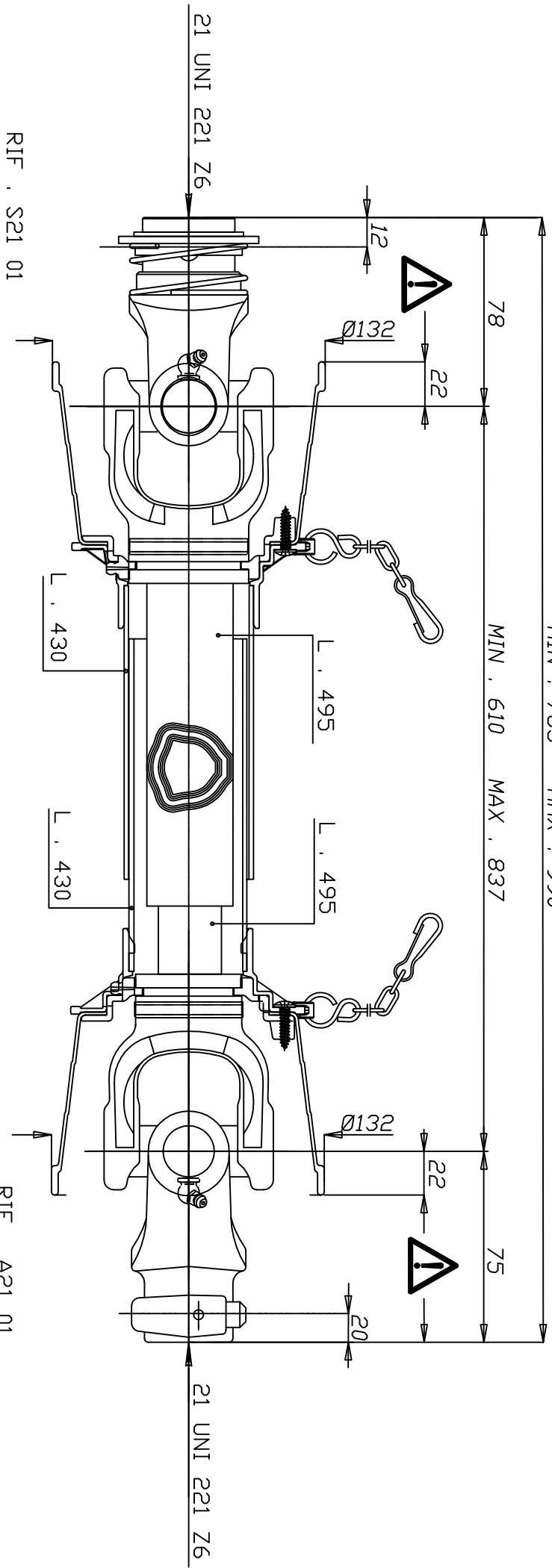


MIN , 763 MAX , 990
 MIN , 610 MAX , 837



WARNING!
 SECTIONS OF THE ASSEMBLY MARKED
 AND MUST BE SHIELDED BY AN INTERACTIVE GUARDING SYSTEM
 BINACCHI S.p.A DECLINES RESPONSIBILITY IF PROPER GUARD
 ARE NOT PROVIDED OR MAINTAINED.



TIPO-TYPE
 TYP

B1

CLIENTE-CUSTOMER-CLIENT-KUNDE

DANI-TECH A/S -DK- per GMR

DATA

12/06/14

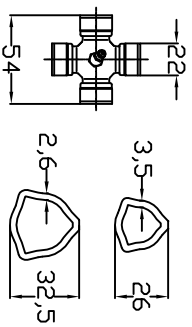
RIF.CLIENTE-CUSTOMER REF.-REF.CLIENT-BEZUG KUNDE

64-061-133

TIPO DI MACCHINA-TYPE OF IMPLEMENT-TYPE DE MACHINE-MASCHINENTYPE

VISTO

MODIFICHE-MODIFICATIONS-ÄNDERUNGEN-MODIFICACIONES



POTENZA : 16 CV (540 g/min)

NOTE :

COPPIA : 210 Nm (540 g/min)



CODICE C.E.D.
 BIN061CES21A21